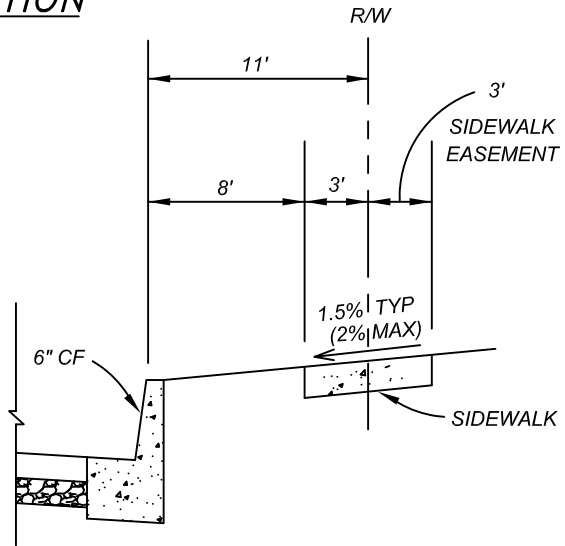


TYPICAL SECTION



ALTERNATE SECTION

NOTES:

- 1.) THICKNESS OF PAVEMENT SECTION TO BE DETERMINED BY R VALUE TESTING PER CALTRANS DESIGN METHOD WITH RECOMMENDED SAFETY FACTOR, MINIMUM 0.30' AC / 0.50' CAB. AC SHALL BE PLACED IN LIPS, AND THICKNESS OF EACH LIP SHALL NOT EXCEED 3".
- 2.) MINIMUM T.I. = 7.
- 3.) HALF WIDTH STREETS SHALL BE CONSTRUCTED TO A WIDTH OF 1/2 STREET WIDTH PLUS 12'.

TRANSPORTATION	DATE	1/12
APPROVED BY	DIVISION MANAGER INITIAL	
	EL	
DEPUTY PUBLIC WORKS DIRECTOR/ ACTING CITY ENGINEER		

CITY OF MORENO VALLEY
PREPARED BY CAPITAL PROJECTS

COLLECTOR	1 of 1
	NO. 107