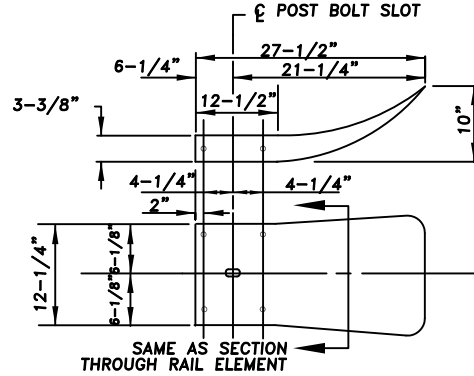
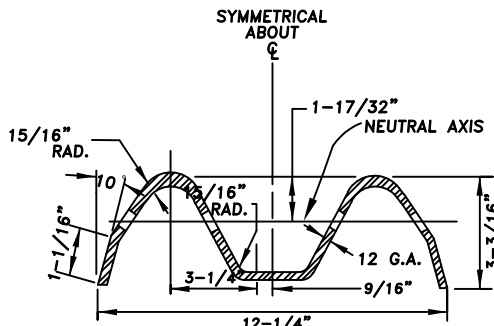


INSTALLATION

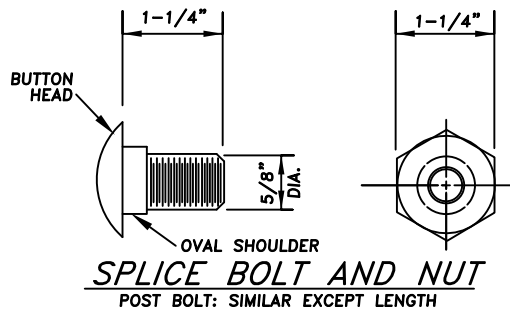
NOTE: GUARD RAILING FLARES AT BRIDGE APPROACHES SHALL HAVE A MINIMUM RADIUS OF 150'.



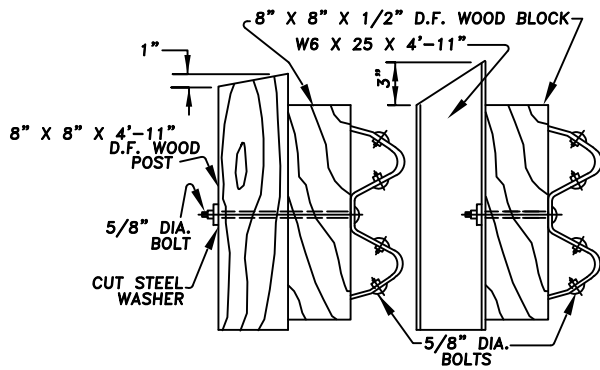
TERMINAL SECTION



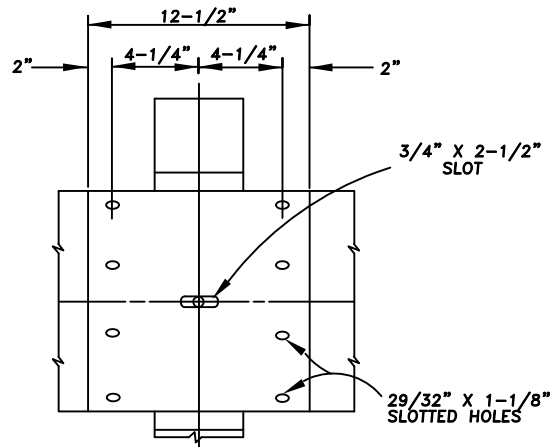
SECTION THROUGH RAIL ELEMENT



SPLICE BOLT AND NUT



ARRANGEMENT OF POSTS



RAIL SPLICE

TRANSPORTATION	DATE	1/05
APPROVED BY	DIVISION MANAGER INITIAL	
	EL	
PUBLIC WORKS DIRECTOR/		

CITY OF MORENO VALLEY	
PREPARED BY CAPITAL PROJECTS	
END OF ROAD TREATMENT DETAILS	
2 of 2	
NO. 413B	