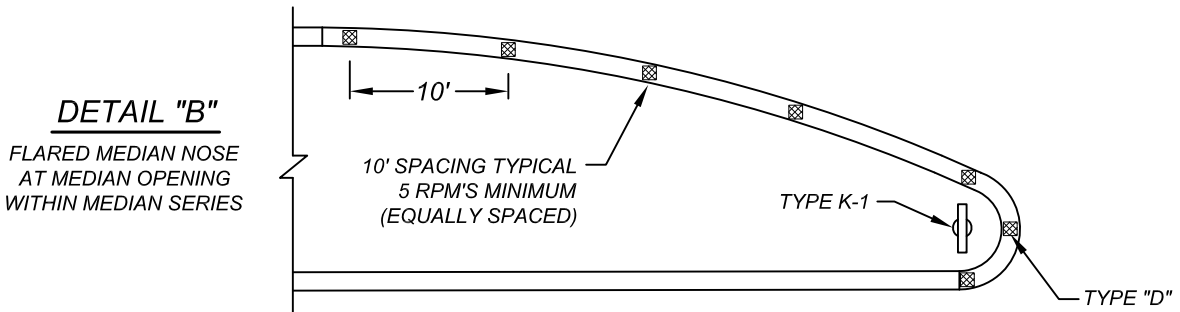


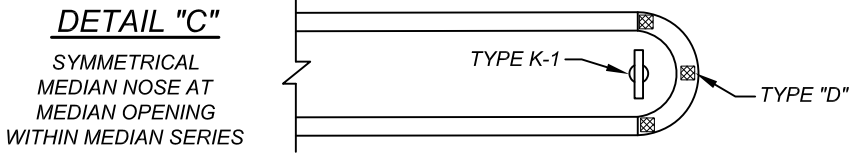
DETAIL "A"

MEDIAN NOSE TREATMENT AT BEGINNING AND END OF MEDIAN SERIES/SIGNALIZED INTERSECTIONS



DETAIL "B"

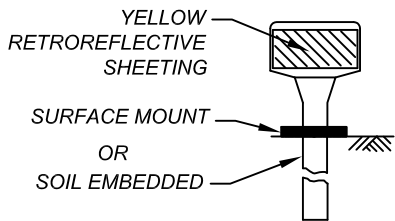
FLARED MEDIAN NOSE AT MEDIAN OPENING WITHIN MEDIAN SERIES



DETAIL "C"

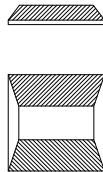
SYMMETRICAL MEDIAN NOSE AT MEDIAN OPENING WITHIN MEDIAN SERIES

MARKER DETAILS



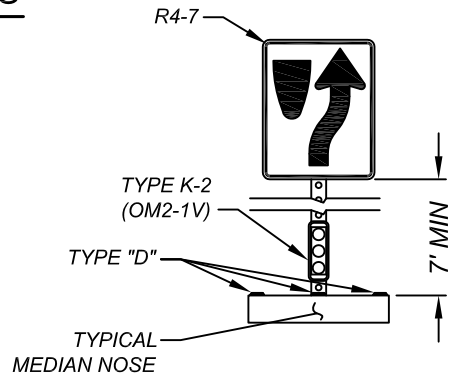
TYPE K-1(OM2-2H)

(FLEXIBLE POST WITH HORIZONTAL ORIENTATION OF SHEETING)



TYPE D

TWO-WAY YELLOW REFLECTIVE



LEGENDS

- R4-7 MEDIAN SIGN AND TYPE K-2 (OM2-1V) OBJECT MARKER
- TYPE K-1 (OM2-2H) OBJECT MARKER
- TYPE "D" RAISED PAVEMENT MARKER

TRANSPORTATION	DATE	1/12
APPROVED BY	DIVISION MANAGER INITIAL	
	EL	
DEPUTY PUBLIC WORKS DIRECTOR/ ACTING CITY ENGINEER		

CITY OF MORENO VALLEY

PREPARED BY CAPITAL PROJECTS

MEDIAN NOSE TREATMENT

1 of 1

NO.

425