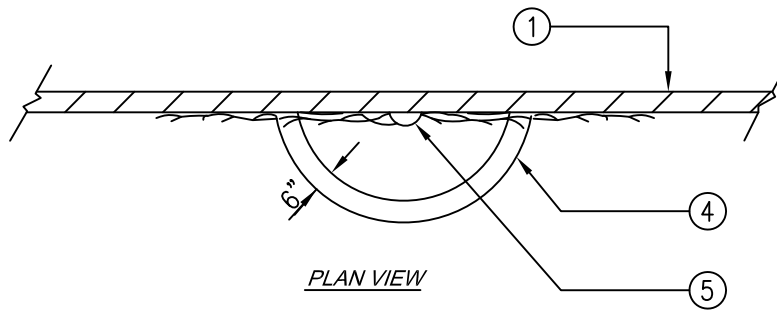




ELEVATION



PLAN VIEW

LEGEND:

- ① WALL
- ② FINISH GRADE
- ③ ADHESIVE VINE SUPPORTS
- ④ 6" X 8" CONCRETE VINE COLLARS IN TURF AREAS ONLY. INSIDE RADIUS OF COLLAR TO BE TWO TIMES THE DIAMETER OF ROOTBALL MINIMUM (#4 REBAR REQUIRED)
- ⑤ ANGLE BACK TO WALL TRUNK OF VINE, AND REMOVE STAKE WHILE SECURING VINE TO SUPPORTS

PARKS & COMMUNITY SERVICES		DATE	1/08	CITY OF MORENO VALLEY PREPARED BY CAPITAL PROJECTS	2 of 2
APPROVED BY		DIVISION MANAGER INITIAL			VINE DETAIL: ADHERING TYPE
 PUBLIC WORKS DIRECTOR/ CITY ENGINEER		 DIVISION MANAGER INITIAL			