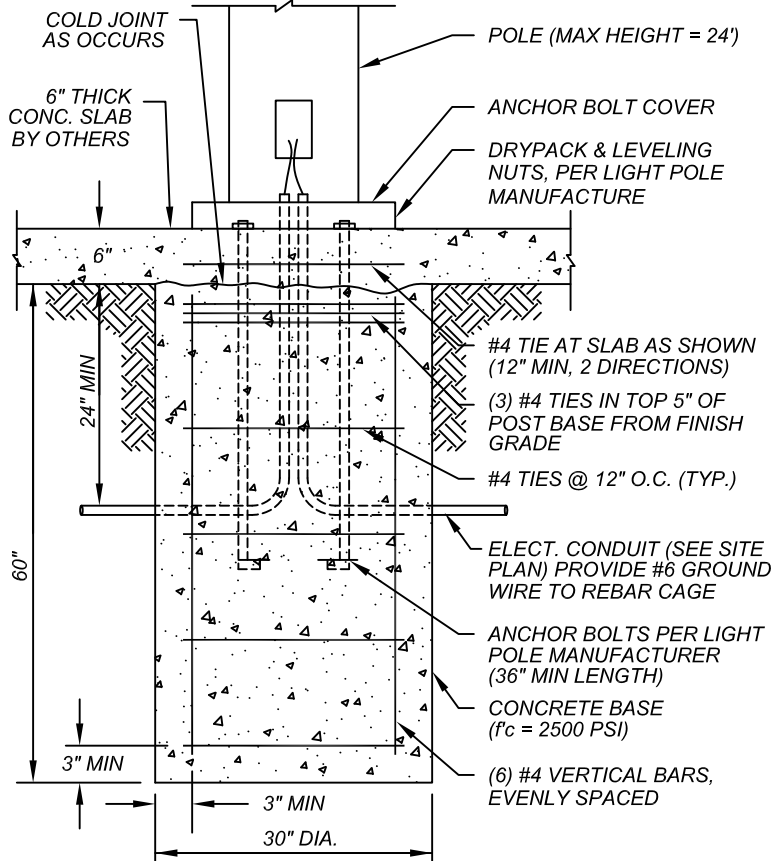


**GENERAL NOTES:**

1. ALL CONSTRUCTION AND WORKMANSHIP SHALL CONFORM TO THE CALIFORNIA BUILDING CODE (CBC), LATEST EDITION. NOTE ALL REFERENCES ON PLANS TO SECTION AND TABLES REFER TO THE CBC, LATEST EDITION.
2. THESE NOTES SHALL BE USED IN CONJUNCTION WITH THE PLANS AND ANY DISCREPANCIES SHALL BE BROUGHT TO THE ATTENTION OF THE ARCHITECT AND THE ENGINEER.
3. CONTRACTOR MUST CHECK DIMENSIONS, FRAMING CONDITIONS, AND SITE CONDITIONS BEFORE STARTING WORK. ARCHITECT AND THE ENGINEER SHALL BE NOTIFIED IMMEDIATELY OF ANY DISCREPANCIES OR POSSIBLE DEFICIENCIES.
4. CONDITIONS NOT SPECIFICALLY DETAILED SHALL BE CONSTRUCTED AS SPECIFIED IN TYPICAL DETAILS FOR THE RESPECTIVE MATERIALS.
5. THE DRAWING AND SPECIFICATIONS REPRESENT THE FINISH STRUCTURE. ALL BRACING, TEMPORARY SUPPORTS, SHORING, ETC. IS THE SOLE RESPONSIBILITY OF THE CONTRACTOR. OBSERVATION VISITS TO THE JOB SITE BY THE ARCHITECT AND THE ENGINEER DO NOT INCLUDE INSPECTION OF CONSTRUCTION PROCEDURES. THESE VISITS SHALL NOT BE CONSTRUED AS CONTINUOUS AND DETAILED INSPECTIONS. THE CONTRACTOR IS SOLELY RESPONSIBLE FOR ALL CONSTRUCTION METHODS AND SAFETY CONDITIONS AT THE WORK SITE.
6. DESCRIBED BELOW OR INDICATED ON THE DRAWINGS MAY BE CONSIDERED FOR USE, PROVIDED PRIOR APPROVAL IS OBTAINED FROM THE OWNER, ARCHITECT, AND THE ENGINEER, AND ALL APPLICABLE GOVERNING CODE AUTHORITY.





**NOTE:** THIS STANDARD PLAN WAS REVIEWED AND APPROVED BY THE COMMUNITY DEVELOPMENT DEPARTMENT, PLANNING AND BUILDING AND SAFETY DIVISIONS. COPY OF THE STAMP APPROVED STANDARD IS ON FILE WITH THE CAPITAL PROJECTS DIVISION.

**REINFORCING STEEL:**

1. REINFORCING STEEL SHALL CONFORM TO ASTM 615, GRADE 40 FOR SIZE #3 AND #4, AND GRADE 60 FOR SIZES #5 AND LARGER.
2. ALL BENDING OF REINFORCING STEEL SHALL CONFORM TO THE LATEST EDITION OF THE CBC.
3. ALL REINFORCING BARS SHALL BE ACCURATELY AND SECURELY PLACED BEFORE POURING CONCRETE OR GROUTING MASONRY.

**CONCRETE:**

1. ALL CONCRETE SHALL ATTAIN A MINIMUM COMPRESSIVE STRENGTH OF 2500 PSI AT 28 DAYS, UNLESS NOTED OTHERWISE ON PLANS.
2. AGGREGATES SHALL BE NATURAL SAND AND ROCK CONFORMING TO ASTM C33.
3. CEMENT SHALL BE PORTLAND CEMENT CONFORMING TO ASTM C150, AS REQUIRED TO SATISFY SITE CONDITIONS AS DETERMINED BY THE PROJECT SOILS ENGINEER OR TYPE II CEMENT WITH MAXIMUM WATER/CEMENT RATIO = 0.65.
4. PIPES MAY PASS THROUGH STRUCTURAL CONCRETE IN SLEEVES, BUT SHALL NOT BE EMBEDDED THEREIN. PIPES OR DUCTS EXCEEDING ONE-THIRD THE SLAB OR WALL THICKNESS SHALL NOT BE PLACED IN THE STRUCTURAL CONCRETE UNLESS SPECIFICALLY DETAILED.
5. ALL CONVENTIONAL FOUNDATION ARE DESIGNED FOR AN EI OF LESS THAN OR EQUAL TO 20, UNLESS SPECIFICALLY NOTED OTHERWISE ON PLANS.
6. REFER TO ACI 318-05, TABLE 4.3.1 FOR REQUIREMENTS WHEN CONCRETE IS EXPOSED TO SULFATE CONTAINING SOLUTIONS.

PARKS & COMMUNITY SERVICES		DATE	01/11	<b>CITY OF MORENO VALLEY</b> PREPARED BY CAPITAL PROJECTS
APPROVED BY		DIVISION MANAGER INITIAL		
 PUBLIC WORKS DIRECTOR/ CITY ENGINEER		 DIVISION MANAGER INITIAL		<b>POLE BASE FIXTURE FOOTING          FOR PARKS</b>
				1 OF 1 NO. <b>561</b>