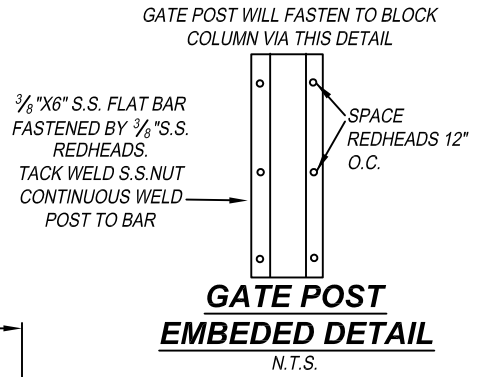


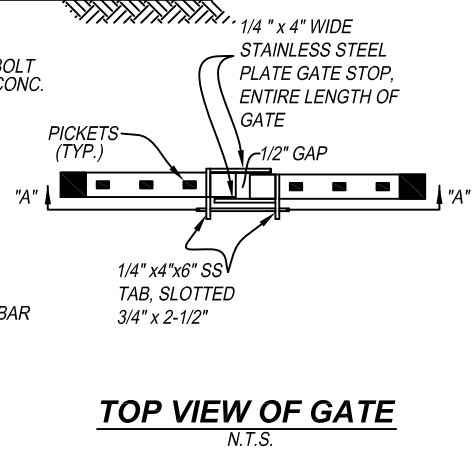
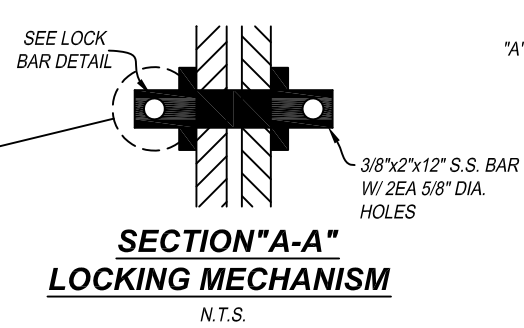
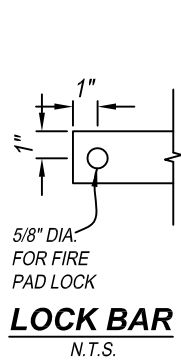
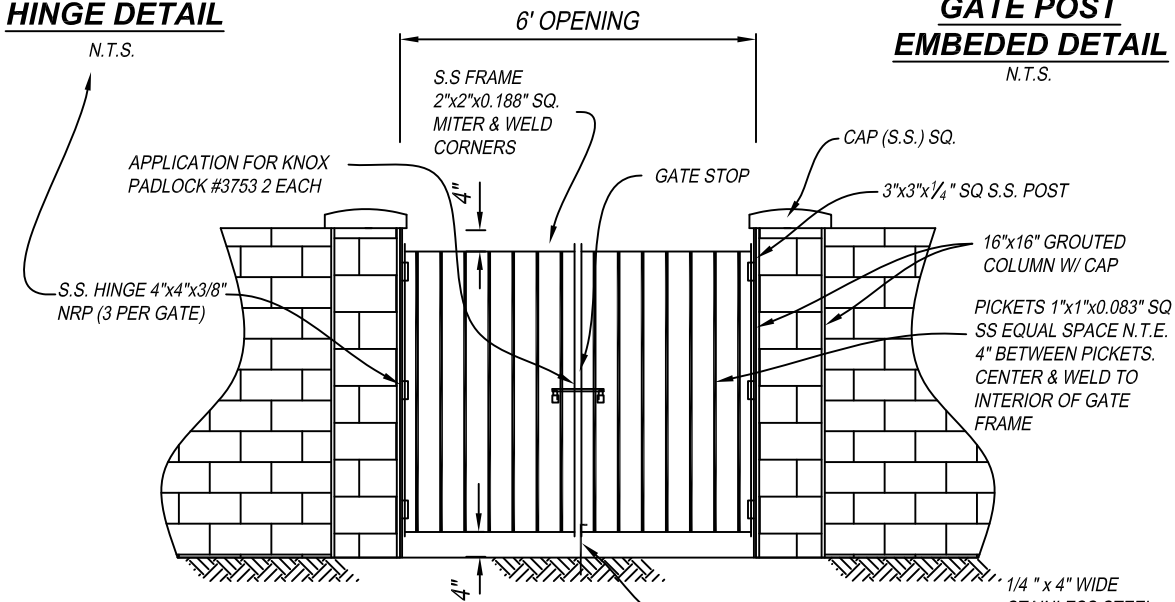
N.T.S.



N.T.S.

HINGE DETAIL

GATE POST EMBEDDED DETAIL



FIRE ACCESS GATE

N.T.S.

NOTES:

- 1.) ALL METAL IS TO BE STAINLESS STEEL NO. 304, SAND BLAST FINISH, NATURAL COLOR.
- 2.) COLUMN PER FENCE/WALL PLAN.

CAPITAL PROJECTS		DATE	1/05	CITY OF MORENO VALLEY PREPARED BY CAPITAL PROJECTS
APPROVED BY		DIVISION MANAGER INITIAL		
 PUBLIC WORKS DIRECTOR/ CITY ENGINEER		 DIVISION MANAGER INITIAL		FIRE ACCESS GATE
				1 of 1 NO. 605