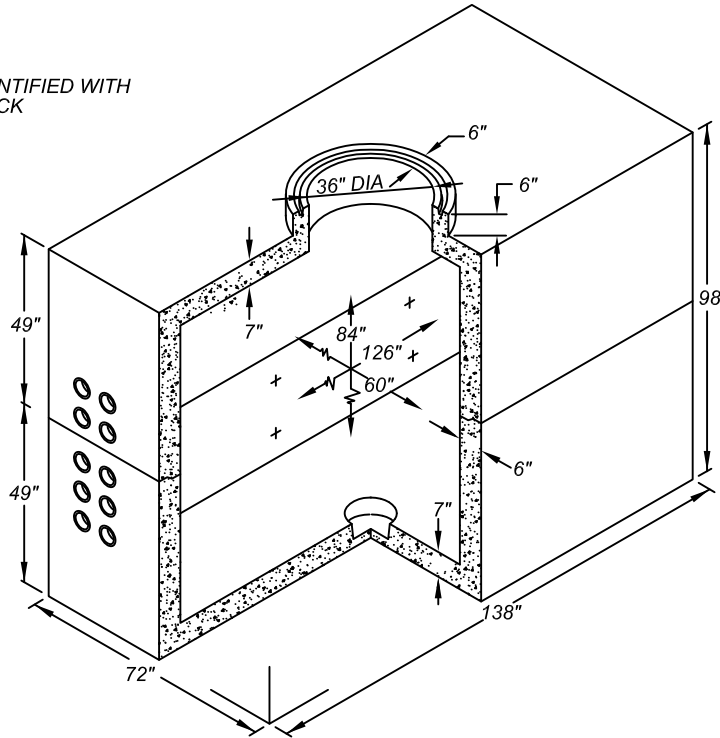


MORENO VALLEY STANDARD NO. 828

5' x 10'-6" x 7' MANHOLE



ALL COVERS TO BE IDENTIFIED WITH "M.V.U." IN 1 1/2" (MIN) BLOCK RECESSED LETTERS.



MINIMUM EXCAVATION SIZE:
7'-10" X 12'-10" X DEPTH REQUIRED.

NOTES:

1. MANHOLE DESIGNED IN ACCORDANCE WITH AASHTO H-20-44 TRAFFIC BRIDGE LOADING USING 5,500 PSI CONCRETE COMPRESSIVE STRENGTH AND 60,000 PSI YIELD STRENGTH ASTM A-706 STEEL REINFORCEMENT.
2. MANHOLE TO BE PLACED ON A MIN. 6" CRUSHER RUN FOR EASE OF INSTALLATION AND EVEN LOAD DISTRIBUTION.
3. LIMIT OF COVER OVER TOP SECTION IS 1'-6" TO 4'-0".
4. 13" DIA. X 12" DIA. SUMP X 4 1/2" DEEP WITH COVER, LOCATE AS FOLLOWS: BOTTOM OF SECTION (1) CORE MTD.
5. INSIDE WALL AND CEILING TO BE PAINTED WHITE.
6. TAMP EXCAVATION FLOOR.
7. ADJUST TO GRADE WITH GRADE RINGS.
8. PRIMARY GROUND HALO TO BE #4 /O BC AND ATTACHED TO ALL GROUND INSERTS.

MORENO VALLEY ELECTRIC UTILITY		DATE	1/12	CITY OF MORENO VALLEY PREPARED BY CAPITAL PROJECTS	
APPROVED BY		DIVISION MANAGER INITIAL			
 DEPUTY PUBLIC WORKS DIRECTOR/ ACTING CITY ENGINEER				1 of 1	
				NO. 828	
				MANHOLE 5' x 10'-6" x 7'	