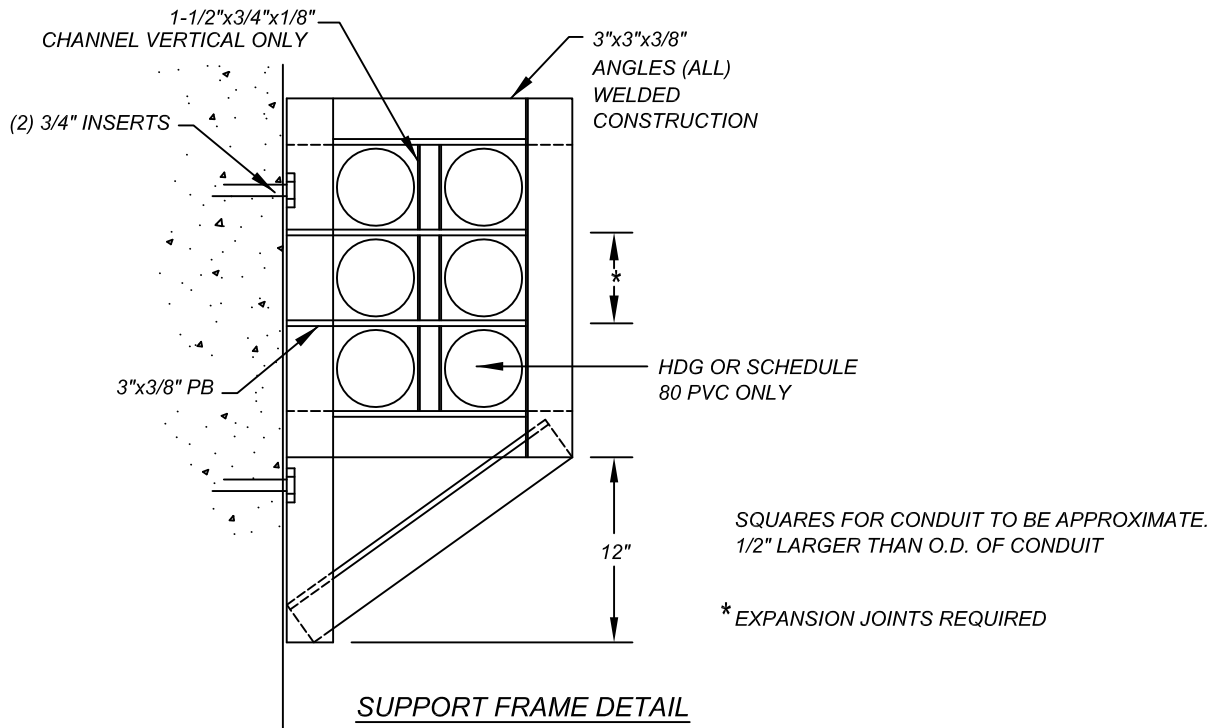
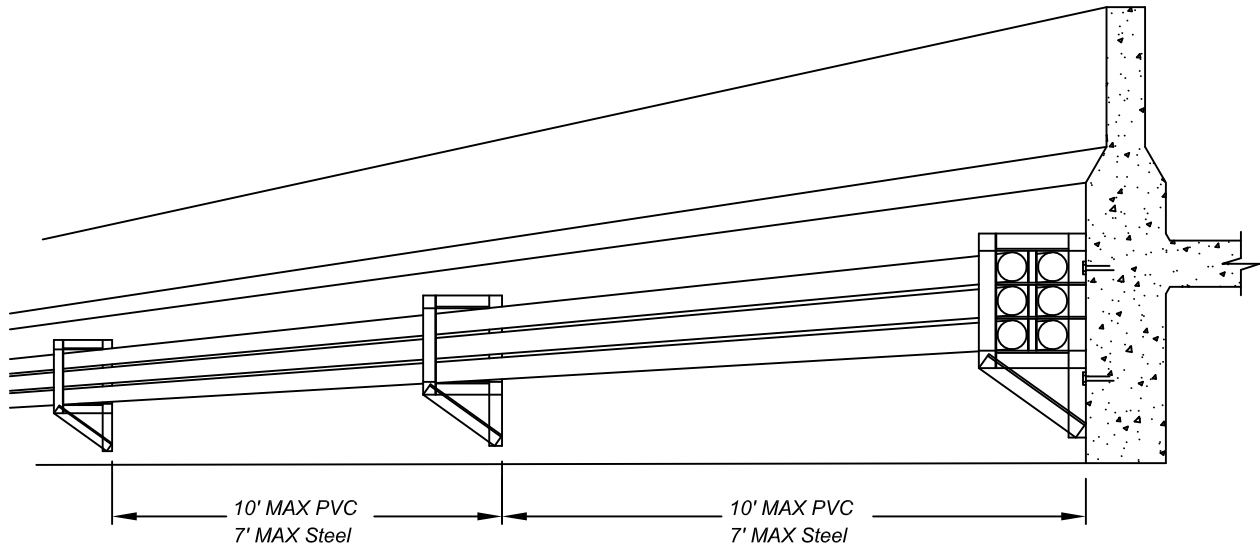




MORENO VALLEY STANDARD NO. 831
SUPPORT FOR CONDUITS ON BRIDGES



MORENO VALLEY ELECTRIC UTILITY DATE 1/12		CITY OF MORENO VALLEY PREPARED BY CAPITAL PROJECTS	
APPROVED BY  DEPUTY PUBLIC WORKS DIRECTOR/ ACTING CITY ENGINEER	DIVISION MANAGER INITIAL 		
		SUPPORT FOR CONDUITS ON BRIDGES	