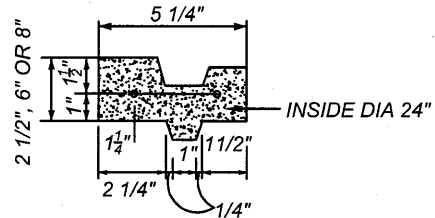
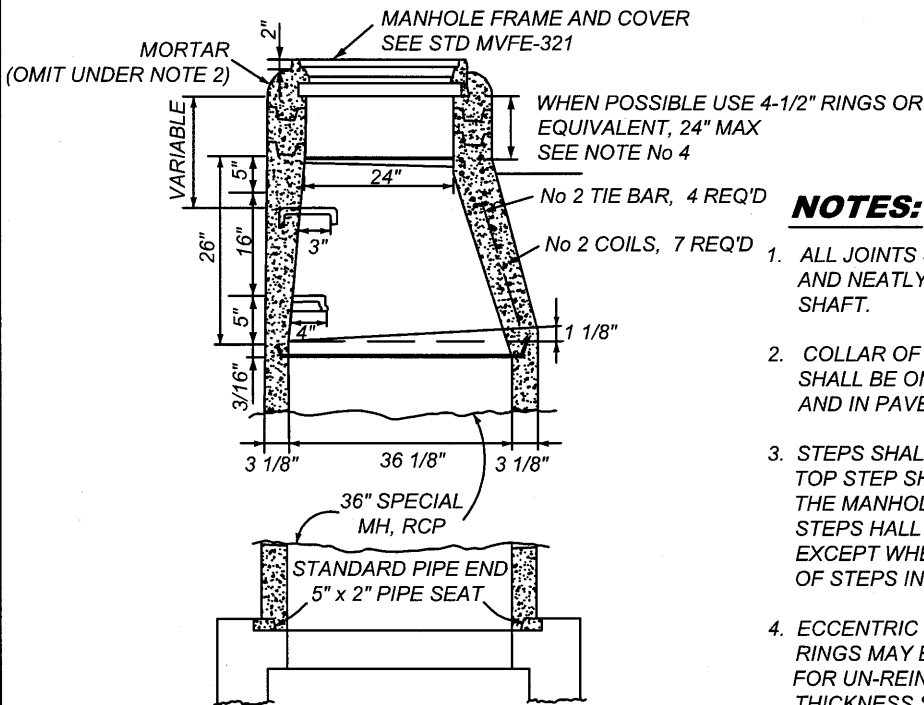


**VERTICAL SECTION
OF PLAIN CONCRETE
ECCENTRIC MANHOLE SHAFT**

2 1/2" RINGS SHALL BE REINFORCED WITH TWO 1/4 ROUND STEEL HOOPS, 6" AND 8" RINGS SHALL BE REINFORCED WITH FOUR HOOPS, TIED WITH No 14 A.S. & W. GAUGE WIRE, 8" OC



**CROSS SECTION OF
REINFORCED CONCRETE RING**



**VERTICAL SECTION
OF REINFORCED CONCRETE
ECCENTRIC MANHOLE SHAFT**

NOTES:

1. ALL JOINTS SHALL BE FILLED WITH 1-2 MORTAR AND NEATLY PAINTED OR WIPED ON INSIDE OF SHAFT.
2. COLLAR OF 1-2 MORTAR AROUND COVER FRAME SHALL BE OMITTED IN ROCK AND OIL STREETS AND IN PAVED STREETS.
3. STEPS SHALL BE 3/4" ROUND GALVANIZED STEEL. TOP STEP SHALL BE PLACED DIRECTLY BENEATH THE MANHOLE FRAME AND COVER. WIDTH OF ALL STEPS SHALL BE 14" BETWEEN LEG CENTERS. EXCEPT WHERE SHOWN OTHERWISE, SPACING OF STEPS IN SHAFT SHALL BE 16" CENTER.
4. ECCENTRIC MANHOLE: SHAFT, REDUCER AND RINGS MAY BE PLAIN CONCRETE. FOR UN-REINFORCED SECTIONS, THE MINIMUM THICKNESS SHALL BE 6". THE CONCRETE USED SHALL BE CLASS "A".

NOT TO SCALE



RECOMMENDED:
[Signature] 1-6-17
 DIVISION MANAGER DATE
 APPROVED:
[Signature] 1/20/17
 PUBLIC WORKS DIRECTOR / DATE
 CITY ENGINEER

CITY OF MORENO VALLEY
 PUBLIC WORKS DEPARTMENT - CAPITAL PROJECTS DIVISION

**MANHOLE SHAFT FOR
CAST PIPE**

STANDARD PLAN
MVFE-320C-0
 SHEET 3 OF 3